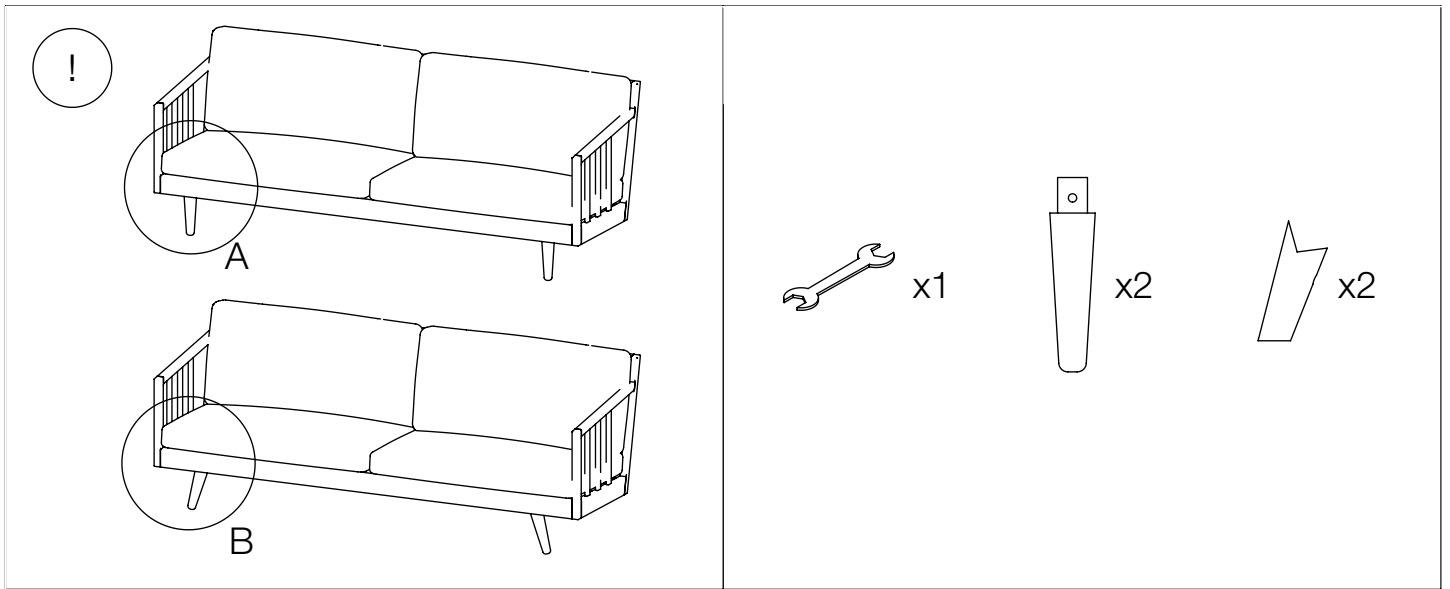
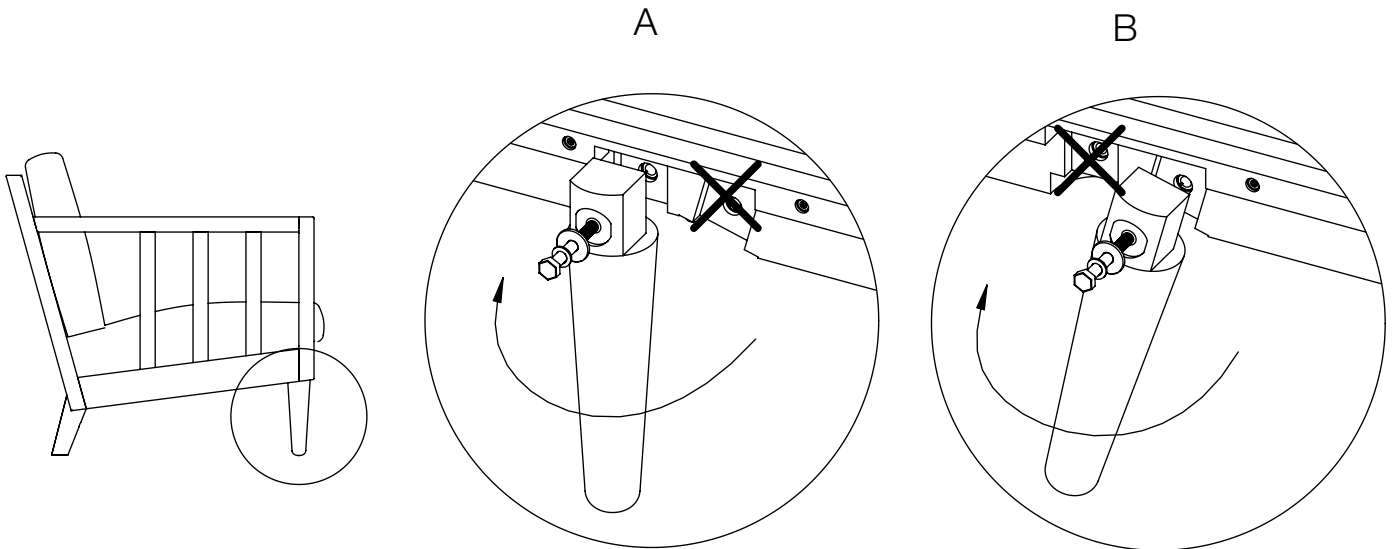


norrgavel



1. Mounting of front leg: position A or B



2. Mounting of back leg

